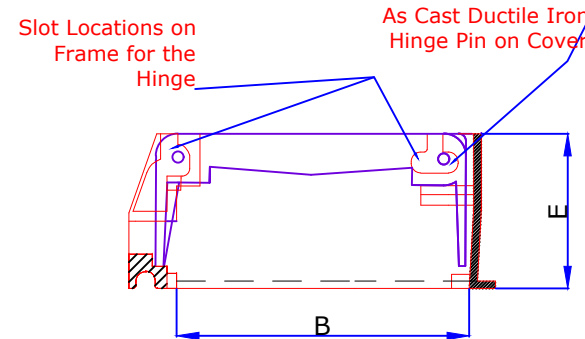
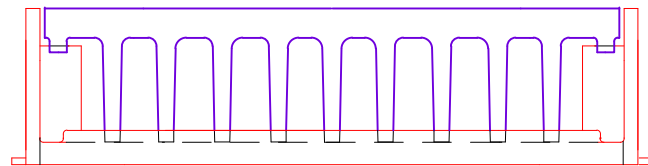


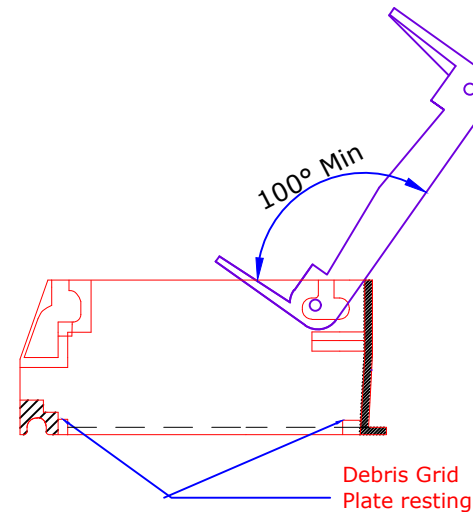
Plan View of Cover & Frame



Sectional Side View Frame & Cover Assy Conditions




Front View of Cover & Frame



Cover opened Conditions

— Cover
— Frame

CODE	CLEAR OPENING AXB (mm)	OVER BASE CXD (mm)	DEPTH E (mm)	LOADING kN
DI-K4	405X800	875x500	205	400

REVISION	DESCRIPTION		
PROJECT TITLE			
DETAILED PRODUCT DRAWING			
DRAWING TITLE			
405X800 mm CLEAR OPENING DUCTILE IRON EN 124 94 CLASS D 400 KERB GULLY TOP & FRAME . PRODUCT CODE : DI-K4			
			
DATE. OCT-2018	APP.BY KM	DRAWN. SGK	CHECKED. AB
REVISION 0		SCALE. NTS ALL DIMENSIONS ARE IN MM	