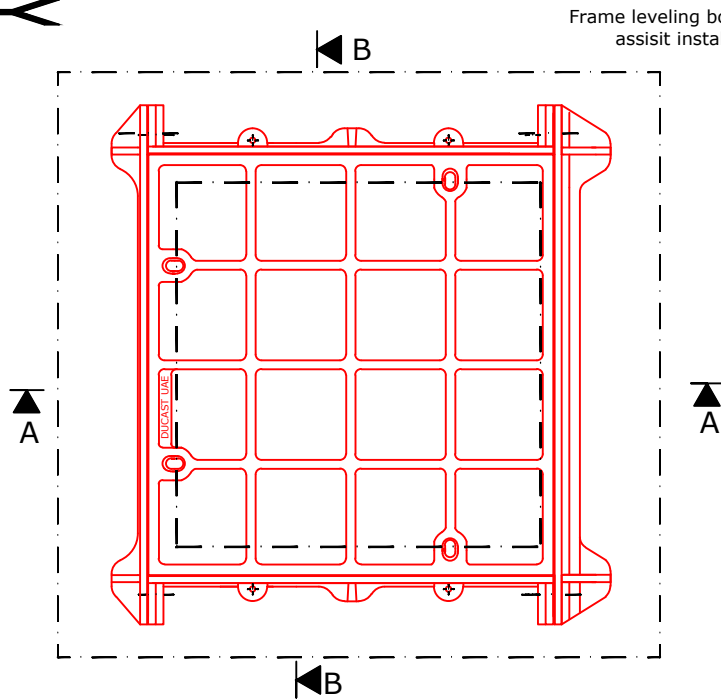
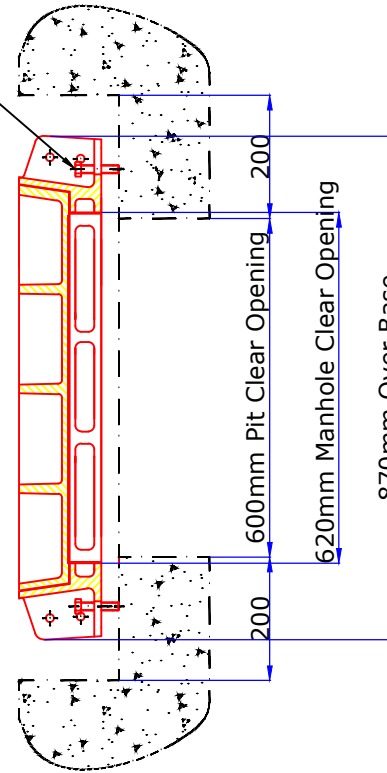


Slide out Direction



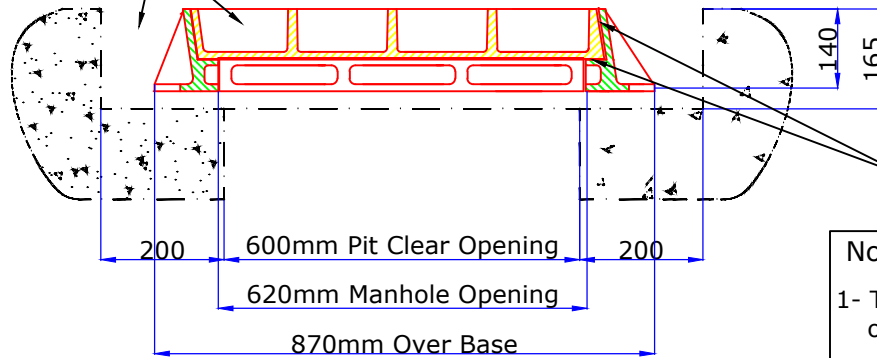
Plan View of Cover & Frame

Frame leveling bolts to assist installation



Section B-B

Covers & Rebate to be filled with C45/10 Concrete during installations



Section A-A

Machined seated

Note:-

- 1- There is no provision GRP seal plate of in this design.
- 2- Graphite Grease to be applied on machined portion to obtain water tightness.

Note:

1). ALL DIMENSIONS ARE IN MM

REVISION	DESCRIPTION	DATE

PROJECT TITLE

DRAWING TITLE
**600x600MM PIT CLEAR OPENING
 620x620MM MANHOLE CLEAR OPENING
 LOADING CLASS F 900 MACHINE
 SEATED SLIDE OUT RECESSED DUCTILE
 COVER & FRAME
 AS PER EN 124 -2015.**



DATE	DESIGNED.	DRAWN.	CHECKED.
JUNE-2018	AB	SGK	AB
DRAWING No.	REVISION	SCALE	NOTE
DI-65F-1P	0		ALL DIMENSIONS ARE IN MM